

BITalino Mini Shield Datasheet

BMSD20201124

SPECIFICATIONS

- > **Analog Ports:** 4 in (10-bit) + 2 in (6-bit)
- > **Digital Ports:** 1 in (1-bit) + 1 out (1-bit)
- > **UC-E6 Ports:** A1, A2, A3, A4, A5, A6, I1O1, I2O2
- > **Connectors:** 7 UC-E6 type ports; Molex connectors footprint
- > **Size:** 56x21x14mm

FEATURES

- > Faster prototyping
- > Small form-factor
- > Easy-to-use
- > Affordable
- > BITalino Mini pinout headers

APPLICATIONS

- > Biomedical projects
- > Electrical engineering
- > Human-Computer Interaction
- > Robotics & Cybernetics
- > Physiology studies
- > Biofeedback

GENERAL DESCRIPTION

The BITalino Mini Shield will allow you to expand the number of analog and digital channels accessible via UC-E6 ports on the BITalino Mini Core. Using the header system, all you will have to do is solder the two boards together for all channels to become immediately available requiring no major effort even for beginners in soldering.

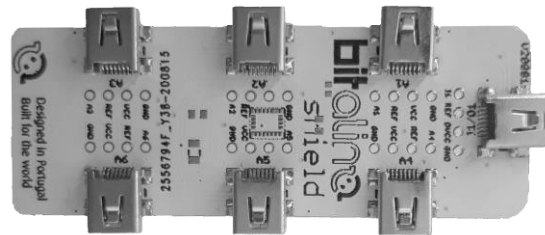


Fig. 1. BITalino Mini Shield (UC-E6 sockets view)

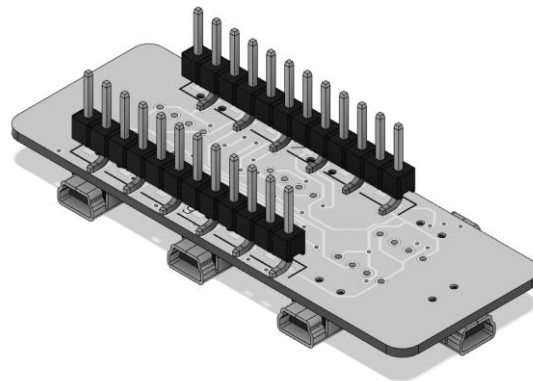


Fig.2. BITalino Mini Shield (header system view)

bitalino

PLUX – Wireless Biosignals, S.A.
Av. 5 de Outubro, n. 70 – 2.
1050-059 Lisbon, Portugal
bitalino@plux.info
<http://bitalino.com/>

REV A

© 2016 PLUX 

This information is provided "as is," and we make no express or implied warranties whatsoever with respect to functionality, operability, use, fitness for a particular purpose, or infringement of rights. We expressly disclaim any liability whatsoever for any direct, indirect, consequential, incidental or special damages, including, without limitation, lost revenues, lost profits, losses resulting from business interruption or loss of data, regardless of the form of action or legal theory under which the liability may be asserted, even if advised of the possibility of such damages.



BEWARE: DIRECT OR INDIRECT COUPLING TO THE MAINS MAY RESULT IN SHOCKING HAZARD



BITalino Mini Shield

Datasheet

DIMENSIONS

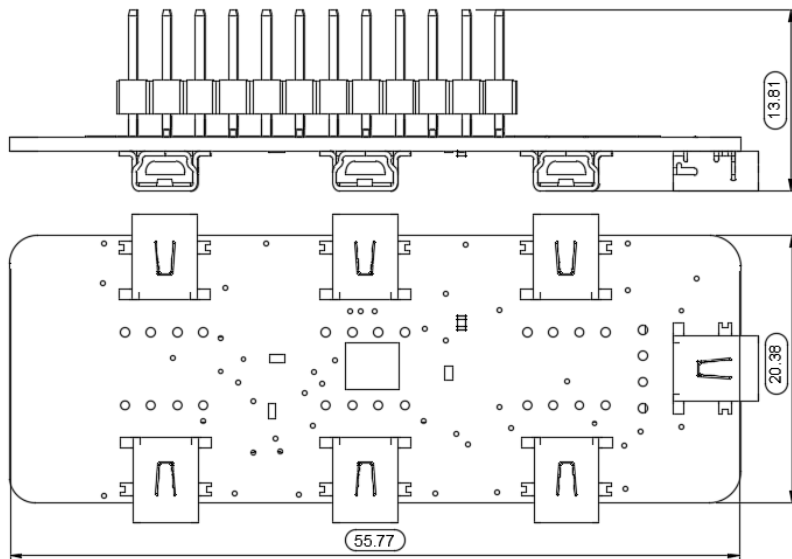
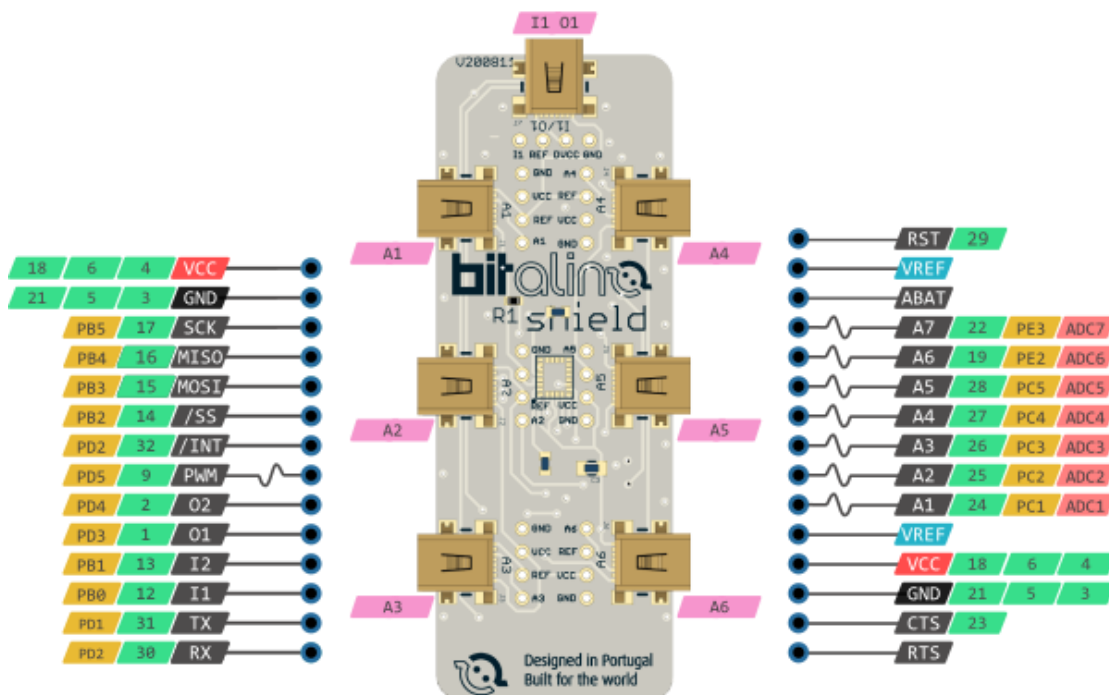


Fig. 2. BITalino Mini Shield Dimensions (mm)

PINOUT DIAGRAM



- VCC 3,3V Power source
- VREF 1,65V Reference point
- GND Ground
- PCB label PCB label
- Physical Pin Physical Pin
- Selected function Selected function
- Microcontroller's Port Pin Microcontroller's Port Pin
- UC-E6 Port UC-E6 Port
- Analog port Analog port

Fig. 3. BITalino Mini Shield Pinout

BITalino Mini Shield

Datasheet

PACKAGING

ORDERING GUIDE

Part #	Description
PCB-MINI-SHIELD	The BITalino Mini Shield will allow you to expand the number of analog and digital channels accessible via UC-E6 ports on the BITalino Mini Core. Using the header system, all you will have to do is solder the two boards together for all channels to become immediately available requiring no major effort even for beginners in soldering.